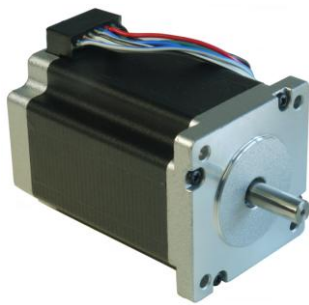


Produkt Info / Product Information



2 Phasen Schrittmotor 2 Phase Stepper Motor SM224L[1]

[S/M/L]=[short/mid/long]

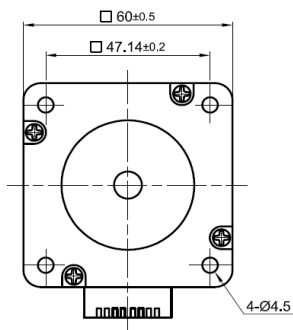


Technische Daten / Specifications: bipolar parallel

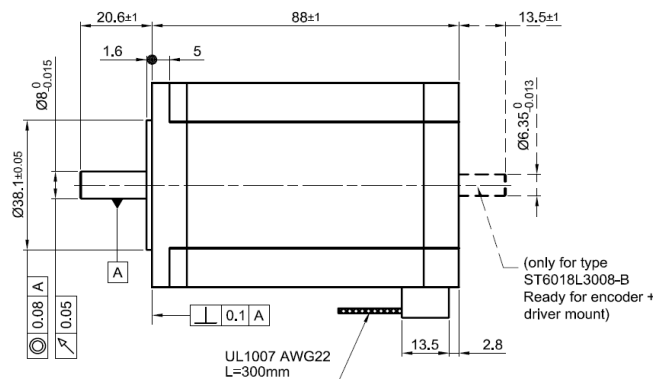
Type	Haltemoment Hold. Torque [Nm]	Strom Current [A]	Widerstand Resistance [Ω]	Induktivität Inductance [mH]	Rotorträgheit Rotor Inertia [kgm ² x 10 ⁻⁷]	Anschluß Wiring	Gewicht Weight [kg]
SM224L[1]	3,1	4,2	0,65±10%	3,2±20%	840	8 Litzen Leads	1,40
	Temp. Max	Ambient Temp.	Isolation	Dielectric	Radial Play	Radial Force	Axial Force
	80°C	-20...50 °C	100MΩ / 500V	500Vac / 1min	0,02mm	75N	15N

Abmessungen / Dimensions: [mm]

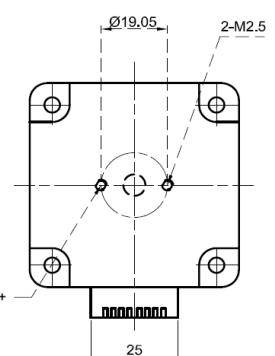
Front view and mounting



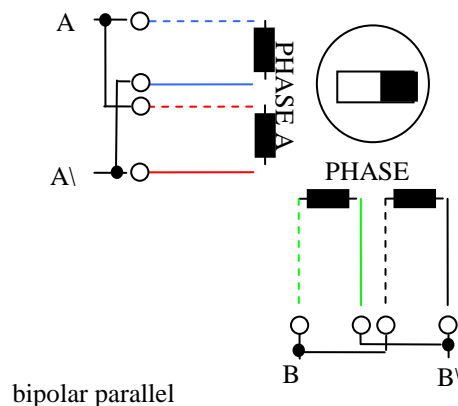
Side view



Rear view



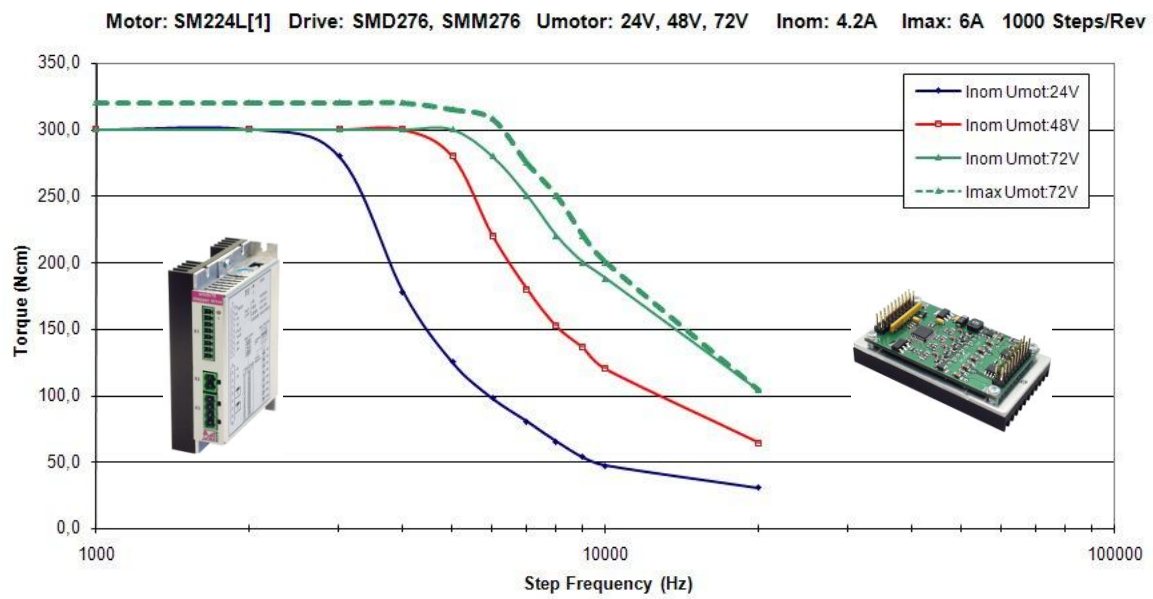
Anschlüsse und Litzenfarben Wiring and color of leads:



Industrial Stepper Drive Solutions

Drehmomentkurven

Torque Curves



Industrial Stepper Drive Solutions