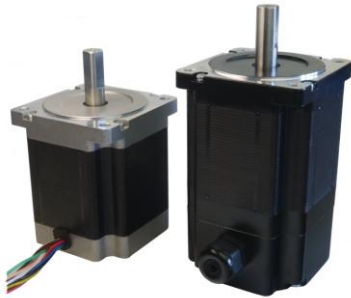


# Produkt Info / Product Information



## 2 Phasen Schrittmotor 2 Phase Stepper Motor SM234[S/M/L]-[K]xx

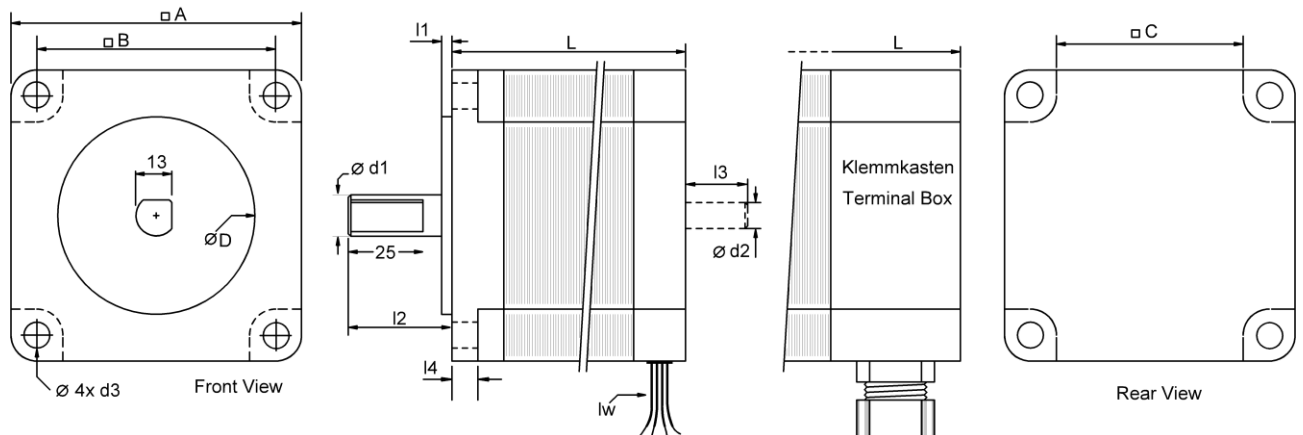
[S/M/L]=[short/mid/long]  
[K]=[Klemmkasten Terminal Box]



### Technische Daten / Specifications: bipolar parallel

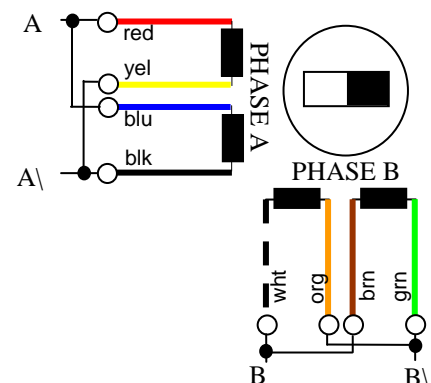
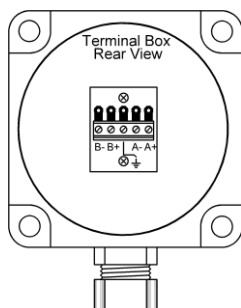
Type	Haltemoment Hold. Torque [Nm]	Strom Current [A]	Widerstand Resistance [Ω]	Induktivität Inductance [mH]	Rotorträgheit Rotor Inertia [kgm <sup>2</sup> x 10 <sup>-4</sup> ]	Anschluß Wiring	Gewicht Weight [kg]
SM234S	3,1	7,0	0,2±10%	1,0±20%	0,85	8 Litzen Leads IP30 [K] PG19 IP51	1,75 [K]2,00
SM234M	7,0		0,28±10%	2,4±20%	1,55		2,85 [K]3,10
SM234L	9,0		0,35±10%	3,4±20%	2,2		3,90 [K]4,15
	Temp. Max 80°C	Ambient Temp. -20...50°C	Isolation 100MΩ/500V	Dielectric 500Vac/1min	Radial Play 0,08mm	Radial Force 220N	Axial Force 60N

### Abmessungen / Dimensions: [mm]



Type	A	B	C	D	L	d1	d2	d3	l1	l2	l3	l4	lw
SM234S	86	69,6	57,5	73	66 [K]106	14	---	6,5	1,6	37	---	10,5	300
SM234M					98 [K]138								
SM234L					126 [K]165								

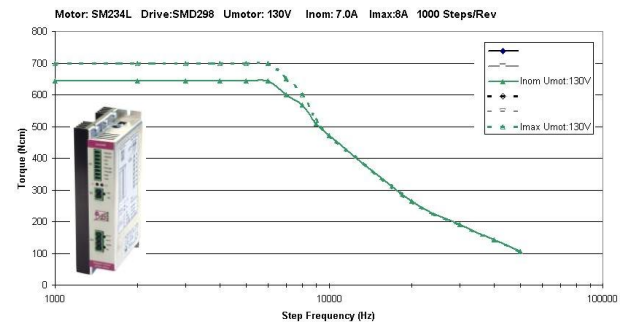
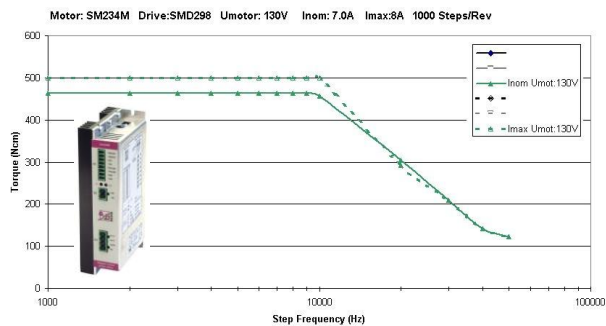
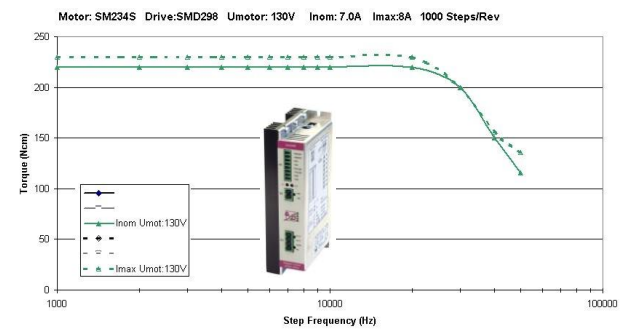
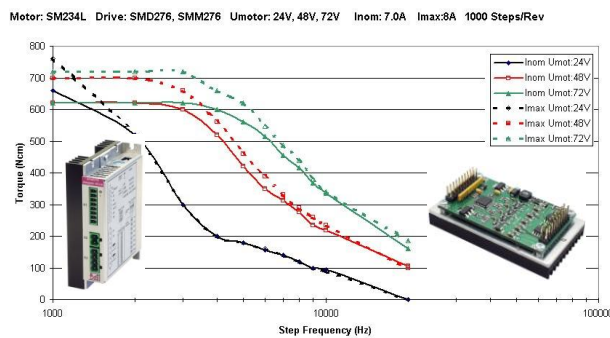
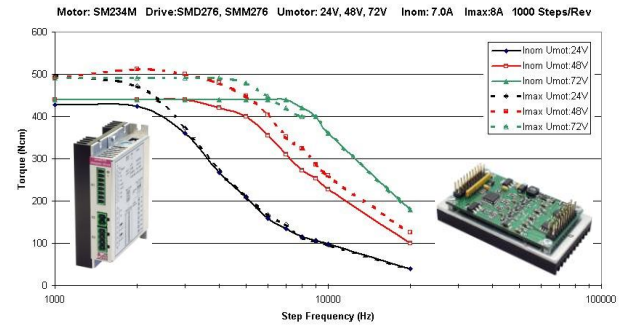
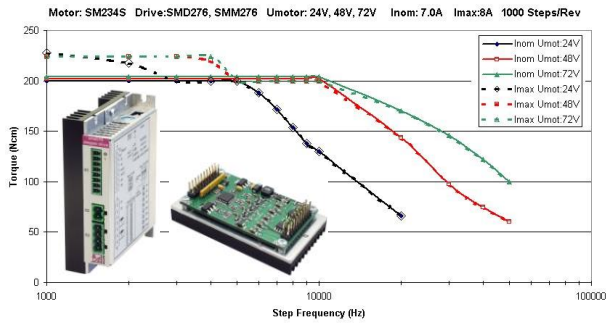
### Anschlüsse und Litzenfarben Wiring and color of leads:



## Industrial Stepper Drive Solutions

# Drehmomentkurven

## Torque Curves



Industrial Stepper Drive Solutions